



PIT Weld Line 10

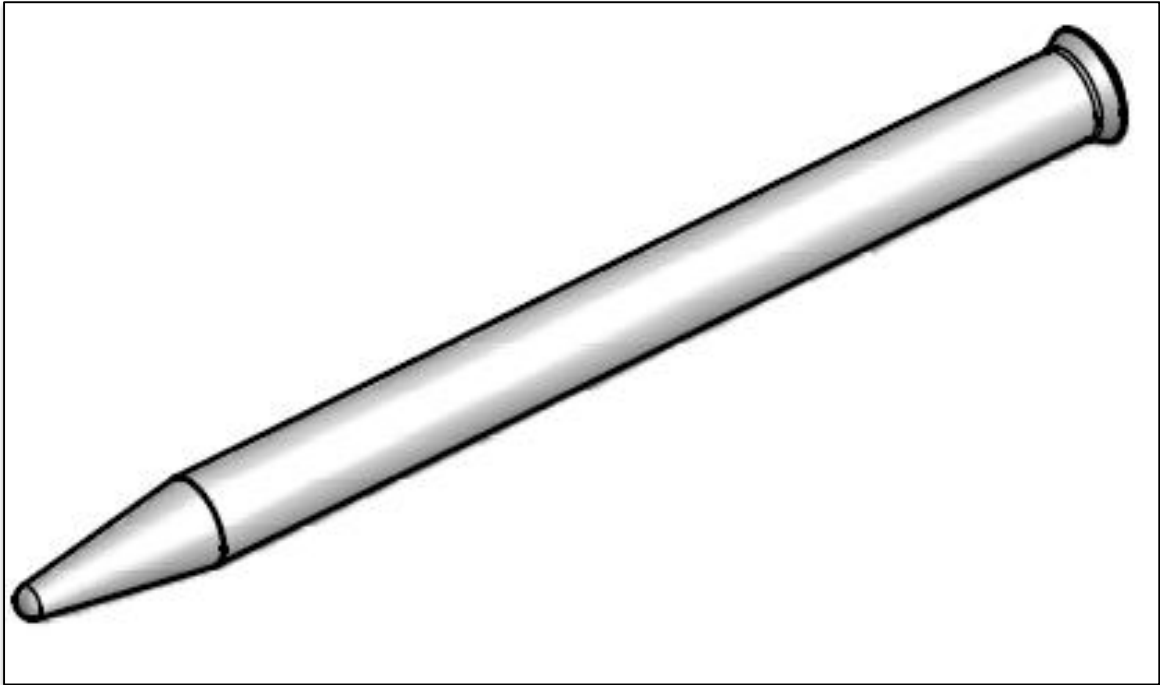


Spare parts/Accessories

January 2019

Changes in price as well as technical reserve!

Pins



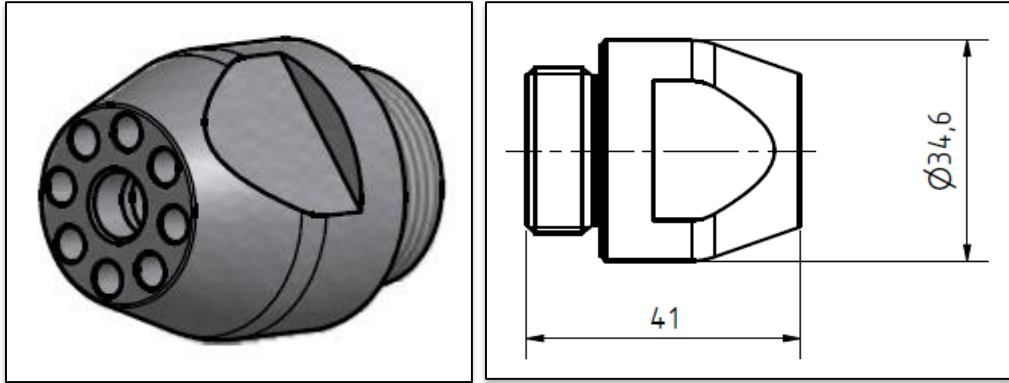
Description	Article number	Price without tax
Pin 80mm long and radius 1,5mm	SB8-S15	84,00 €
Pin 110 mm long and radius 1,5 mm	SB8-L15	98,00 €
Pin 80mm long and radius 2mm	SB8-S20	84,00 €
Pin 110mm long and radius 2mm	SB8-L20	98,00 €
Pin XL 180mm long and radius 2mm	SB8-X20	125,00 €
Pin 80mm long and radius 4 mm	SB8-S40	84,00 €
Pin 110mm long and radius 4mm	SB8-L40	98,00 €

Spare parts/Accessories

January 2019

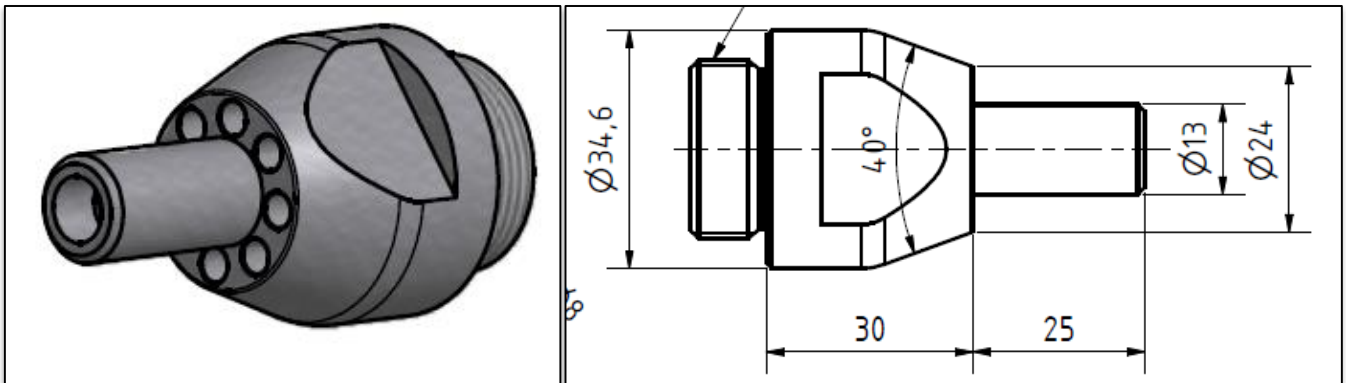
Changes in price as well as technical reserve!

Pin holder standard



Description	Article number	Price without tax
Pin holder standard	BH8-S10	145,00 €

Pin holder XL



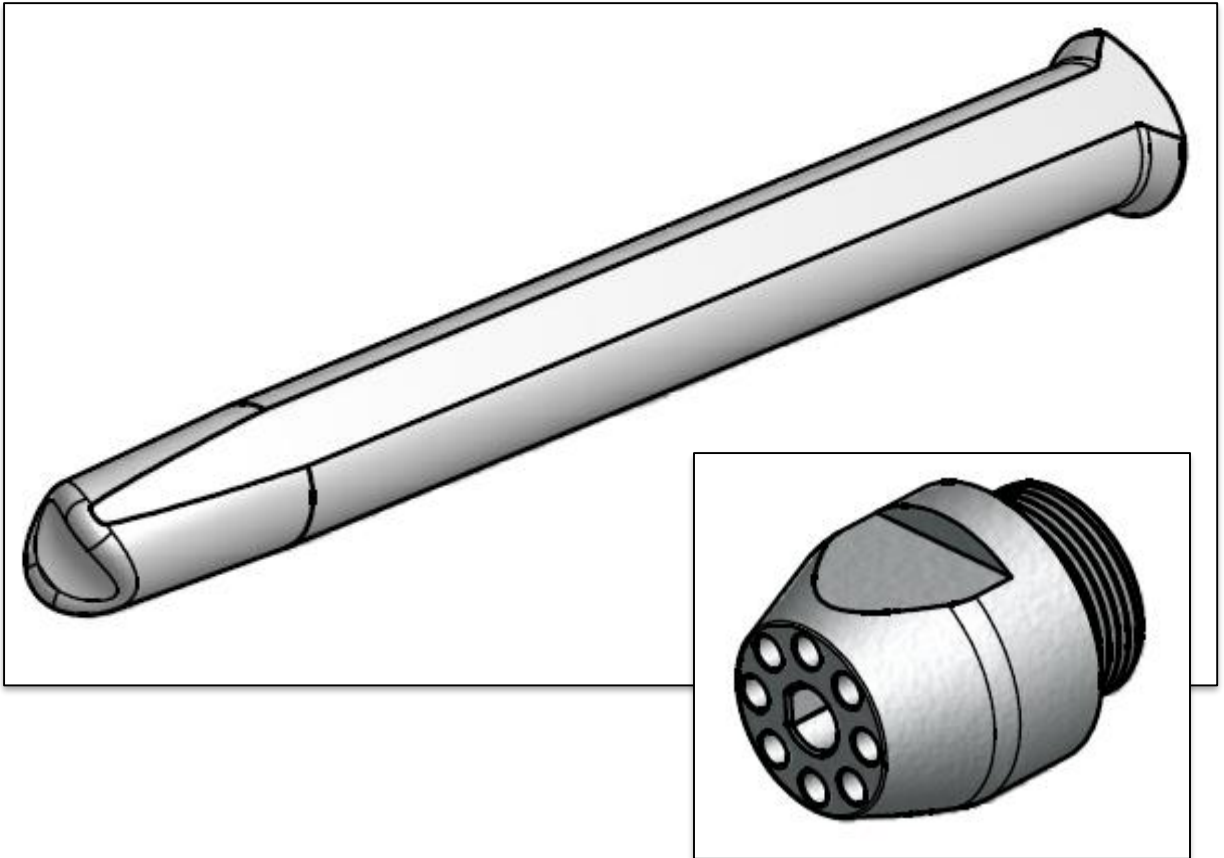
Description	Article number	Price without tax
PIN-holder XL	BH8-X10	155,00 €

Spare parts/Accessories

January 2019

Changes in price as well as technical reserve!

Pin concave



Description	Article number	Price without tax
Pin 80mm long concave	SB8-SKK	145,00 €
Pin 110 mm long concave	SB8-SKL	155,00 €
Pin holder for concave Pin	BH8-F10	165,00 €

Spare parts/Accessories

January 2019

Changes in price as well as technical reserve!

Qualitätssicherung

Description	Article number	Price without tax
 <p>PIT-Almentest-Set for testing the intensity of the PIT system</p>	<p>ATH-S00</p>	<p>575 €</p>
 <p>Magnify with LED - 3pc. Pack for optical quality control</p>	<p>LED-LQS</p>	<p>66,00 €</p>

Spare parts/Accessories

January 2019

Changes in price as well as technical reserve!

Other

Description	Article number	Price without tax
package lengthening 8m	SV8-S10	495,00 €
Air filter unit Festo	LFE-F01	85,00 €
grinding of pins		49,00 €
Change muscle unit complete incl. calibration		875,00 €
3 tins of lubricants		66,00 €
Magnet rubber for leading of the Pins (meter)		85,00 €
10 PIT Almenstrips		45,00 €

Intensity information:

Please, note that the full effect of the PIT technology is to be led back on the fact that the highest intensity with the standard bolts of the length 80 mm and a 90 ° angle of treatment is achieved.

For hardly accessible places the PITEC has developed different bolts which allow a treatment also at such places.

Regarding other weights of bolts and other angle of treatment of course you can achieve a good but not the full intensity.

Spare parts/Accessories

January 2019

Changes in price as well as technical reserve!

More or other accessories on inquiry!

All prices are without tax and shipping costs.

For standard shipping till 5 Kg we will invoice the following shipping & handling expenses:

- In Germany 15 €
- Outside of Germany but in EU 25 €
- Switzerland 30 €

**Minimum order 300,00 €, for smaller orders we charge
a minimum order surcharge of 30,00 €.**

Outside of EU we will invoice the real shipping costs plus a handling of 25 €!

Please send your order to:

**PITEC Deutschland GmbH
Essenberger Straße 85-93
D-47059 Duisburg
www.pitec-gmbh.com**

Sales Office:

**Tel: +49 (0) 2272 9787557
Fax: +49 (0) 2272 9787559
Mobil: +49 (0) 173 2085569
f.schaefers@pitec-gmbh.com**

Spare parts/Accessories

January 2019

Changes in price as well as technical reserve!