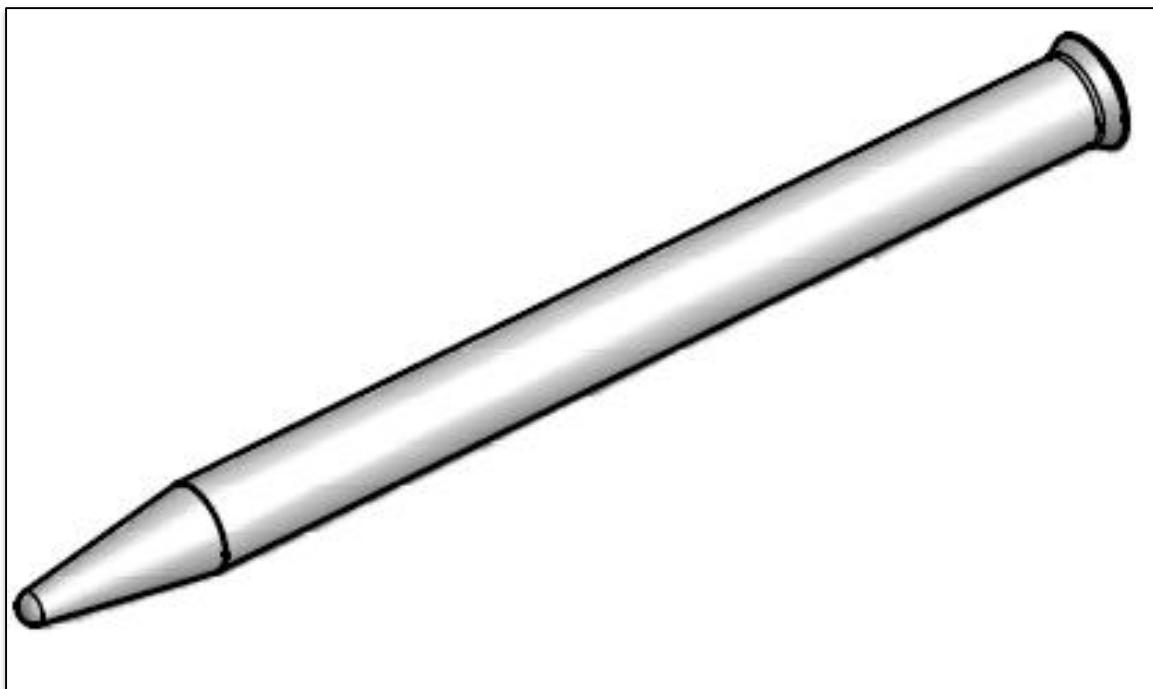




PIT Weld Line 10

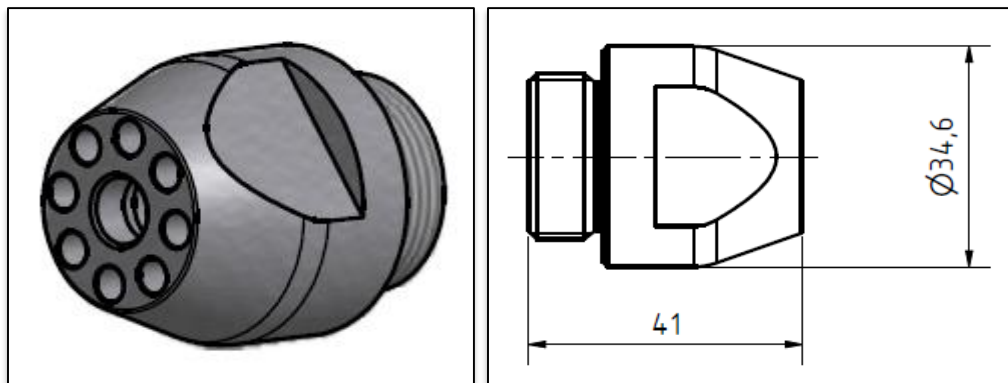


Pins



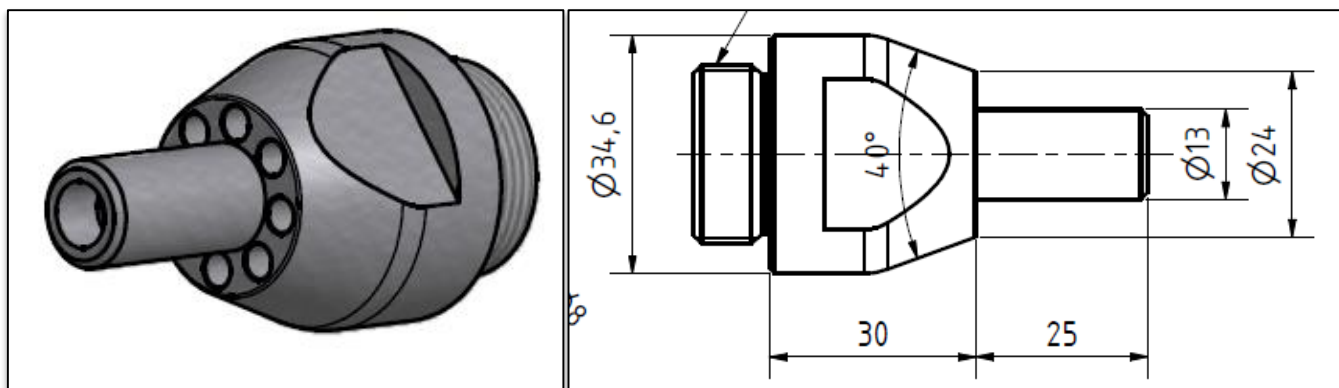
Description	Article number	Price without tax
Pin 80mm long and radius 1,5mm	SB8-S15-01	84,00 €
Pin 110 mm long and radius 1,5 mm	SB8-L15-01	98,00 €
Pin 80mm long and radius 2mm	SB8-S20-01	84,00 €
Pin 110mm long and radius 2mm	SB8-L20-01	98,00 €
Pin XL 180mm long and radius 2mm	SB8-X20-01	125,00 €
Pin 80mm long and radius 4 mm	SB8-S40-01	84,00 €
Pin 110mm long and radius 4mm	SB8-L40-01	98,00 €

Pin holder standard



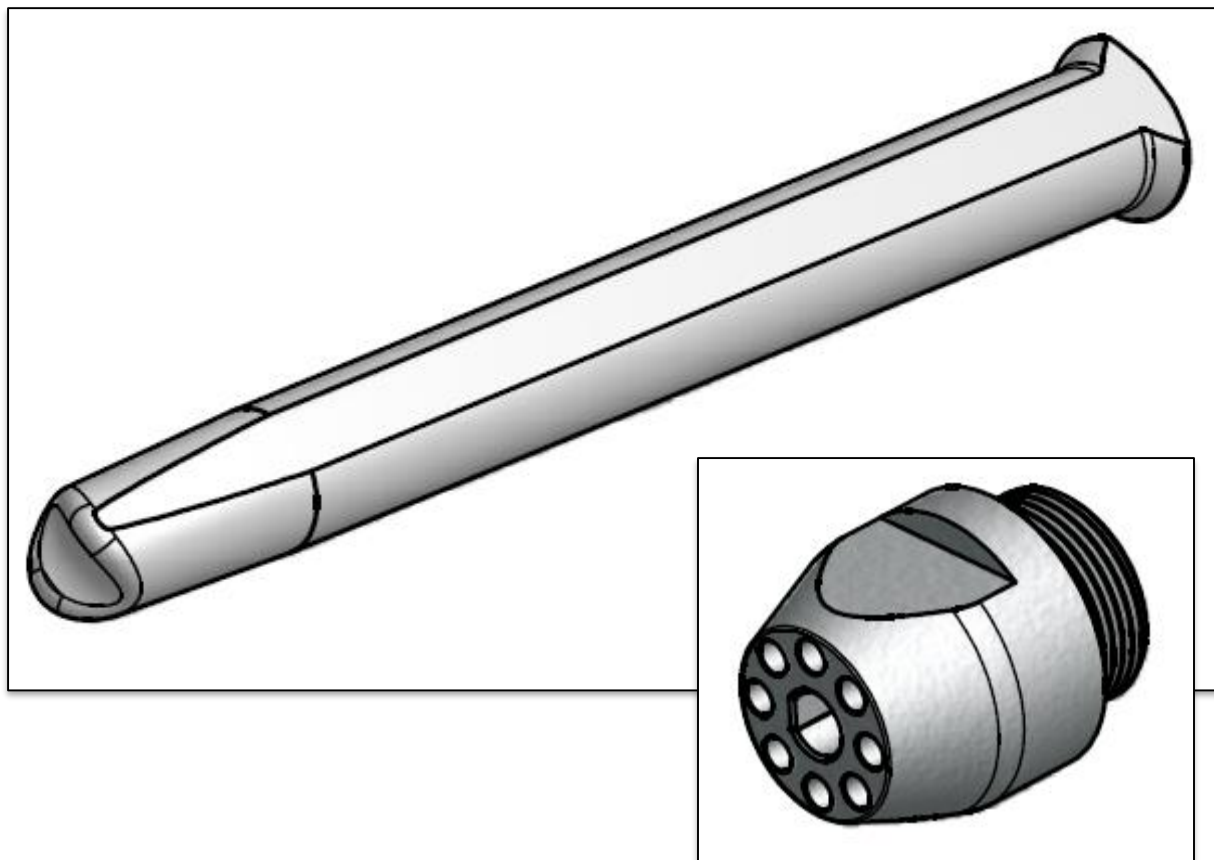
Description	Article number	Price without tax
Pin holder standard	BH8-S10-01-A	145,00 €

Pin holder XL



Description	Article number	Price without tax
Bolzenhalter extra lang	BH8-X10-01-A	155,00 €

Pin concave



Description	Article number	Price without tax
Pin 80mm long concave	SB8-SKK-01-B	145,00 €
Pin 110 mm long concave	SB8-SKL-01	155,00 €
Pin holder for Pin concave	BH8-F10-01-A	165,00 €

Qualitätssicherung

Description	Article number	Price without tax
 <p>PIT-Almentest-Set for testing the intensity of the PIT system</p>	ATH-S00-00-A	575 €
 <p>Magnify with LED - 3pc. Pack for optical quality control</p>	LQS-LED-KA	66,00 €

Other

Description	Article number	Price without tax
package lengthening 8m	SV8-S10-00-B	495,00 €
Air filter unit Festo	LFE-F01-KA-A	85,00 €
grinding of pins		49,00 €
Change muscle unit complete incl. calibration		875,00 €
3 tins of lubricants		66,00 €
Magnet rubber for leading of the Pins (meter)		85,00 €
10 PIT Almenstrips		45,00 €

Intensity information:

Please, note that the full effect of the PIT technology is to be led back on the fact that the highest intensity with the standard bolts of the length 80 mm and a 90 ° angle of treatment is achieved.

For hardly accessible places the PITEC has developed different bolts which allow a treatment also at such places.

Regarding other weights of bolts and other angle of treatment of course you can achieve a good but not the full intensity.

**All deliveries will be invoiced
by real costs plus 10 % for handling**

**Plus possible additional costs
for tax or customs and similar**

Other accessories or spare parts on inquiry!

All prices are without taxes and delivery costs.

Please send your order to:

PITEC GmbH

Sales Office:

Jakob-Dohmen-Str. 24

D-50171 Kerpen

Tel: +49 (0) 2275 937766

Fax: +49 (0) 2275 918842

Mobil: +49 (0) 173 2085569

f.schaefers@pitec-gmbh.com

www.pitec-gmbh.com